

QELC-S-1

SMA, DC~26.5GHz

Features:

- * Low VSWR
- * No welding
- * Reusable
- * Easy installation

Applications:

- * Laboratory Test

Electrical

Frequency:	DC~26.5GHz
VSWR:	1.25 max.
Impedance:	50Ω

Mechanical

RF Connector:	SMA
Outer Conductor:	Passivated stainless steel
Dielectric:	PEI & PTFE
Inner Conductor:	Gold plated beryllium copper

Environmental

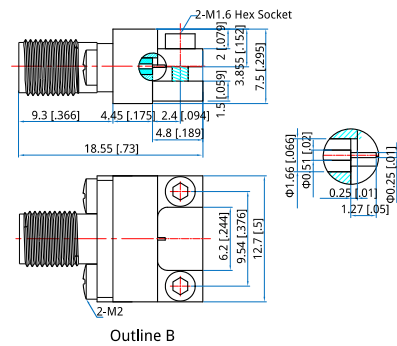
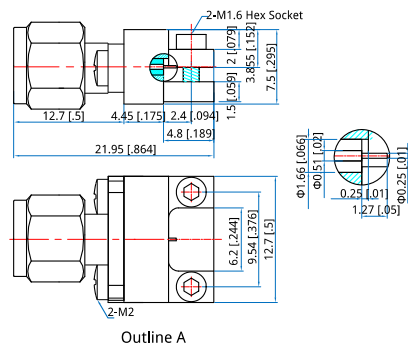
Temperature:	-55~+165°C
--------------	------------

How To Order

QELC-S-1 - Outline A

QELC-SF-1 - Outline B

Customization is available upon request.

Outline Drawings


Unit: mm [in]

Tolerance: ±0.2mm [±0.008in]